

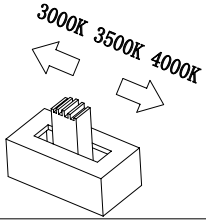
DC Light ApS
Handverkerbyen 10
DK-2670 Greve
Denmark

MATRIX Mini LED CEILING

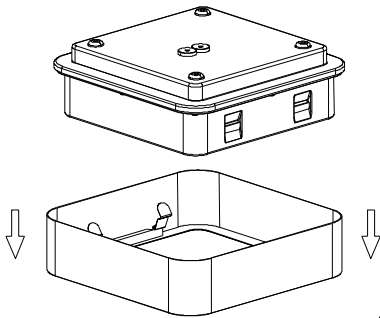
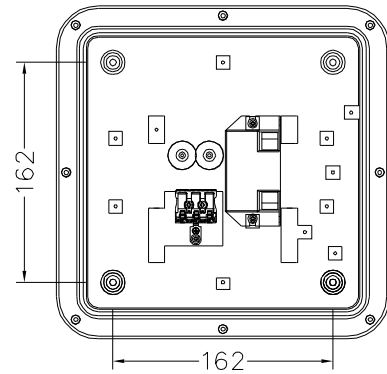
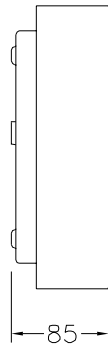
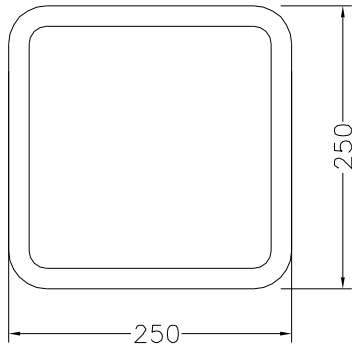


EN60598/CEM2001/108/CE

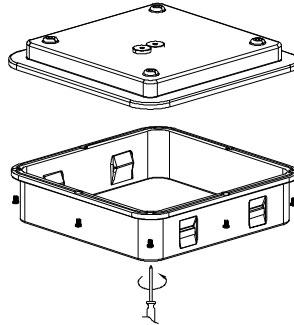
Power: 230V-50Hz
IK10-IP65
Temp: -20° C/+50° C
Socket: LED-Platta
Ligh source: LED 10W
PC Diffuser/ALU house



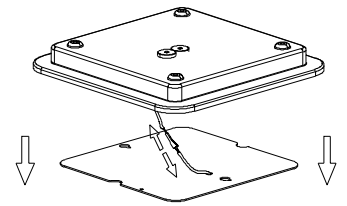
Note: Kelvin change switch is placed inside the luminaire,
on the LED plate.
Disconnect the power before operation.
Settings are 3000K/3500K/4000K, factory setting is 3000K.



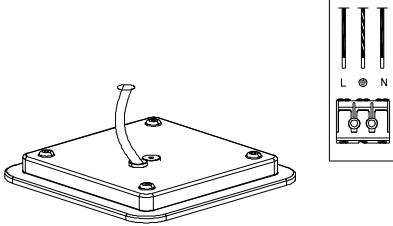
01



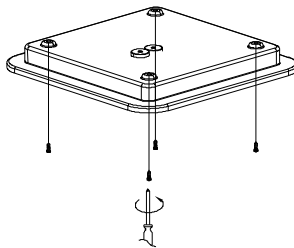
02



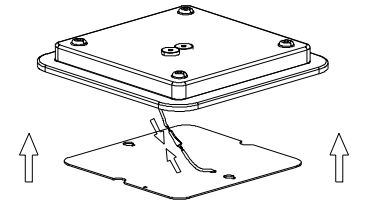
03



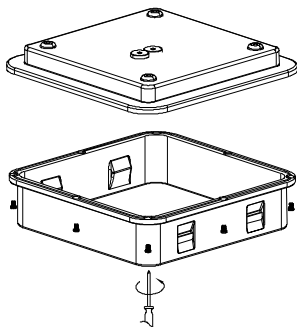
04



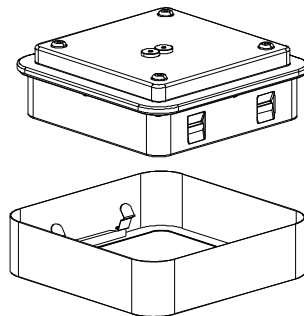
05



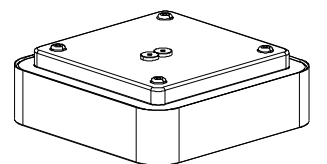
06



07



08



09

Mounting holes 4pcs with distance as above
Cable entrance with 2 holes Ø16 with gasket

DC Light ApS
 Handverkerbyen 10
 DK-2670 Greve
 Denmark

MATRIX Mini LED CEILING



EN60598/CEM2001/108/CE

Power: 230V-50Hz
 IK10-IP65
 Temp: -20° C/+50° C
 Socked: LED-Platta
 Ligth source: LED 10W
 PC Diffuser/ALU house

PIN 1	PIN 2	I out (mA)
●	●	350
●	○	300
○	●	250
○	○	200

CCT	Current Setting	Power (W)	Lumen (lm)
3000K	200mA	5.8	493.7
	250mA	7.2	588.2
	300mA	8.9	705
	350mA	10.2	777.8

CCT	Current Setting	Power (W)	Lumen (lm)
3500K	200mA	5.6	516.2
	250mA	7	619
	300mA	8.8	747.6
	350mA	9.8	826.5

CCT	Current Setting	Power (W)	Lumen (lm)
4000K	200mA	5.8	523.8
	250mA	7.2	623
	300mA	8.9	746.8
	350mA	10	821.4